

Nighthawk NIG-1SL-15W Specifications

Light Source	LED COB	Supply (Voltage)	220-240V AC~50/60Hz
Colours	Black, White	Temperature Rating	-20°C +40°C
Wattage	15W	Construction	Polycarbonate
Dimmable	No	IP Rating	IP65
Kelvins	3000K - 4000K - 5000K	Electrical Protection	Class II
Lumens	1100lm - 1250lm - 1150lm	Compliance	AS/NZS 60598.1, AS/NZS 60598.2.1, AS/NZS 61347.1, AS/NZS 61347.2.13, AS/NZS CISPR 15
CRI	CRI \geq 80	Recommended Use Warranty	Domestic / Commercial 3 Year Replacement
LED Hour Rating	30000H	NZ/AU Driver Driver Type	ACD100100-223 Constant C, Non Isolated
		Net Weight Gross Weight	0.44KG 0.63KG

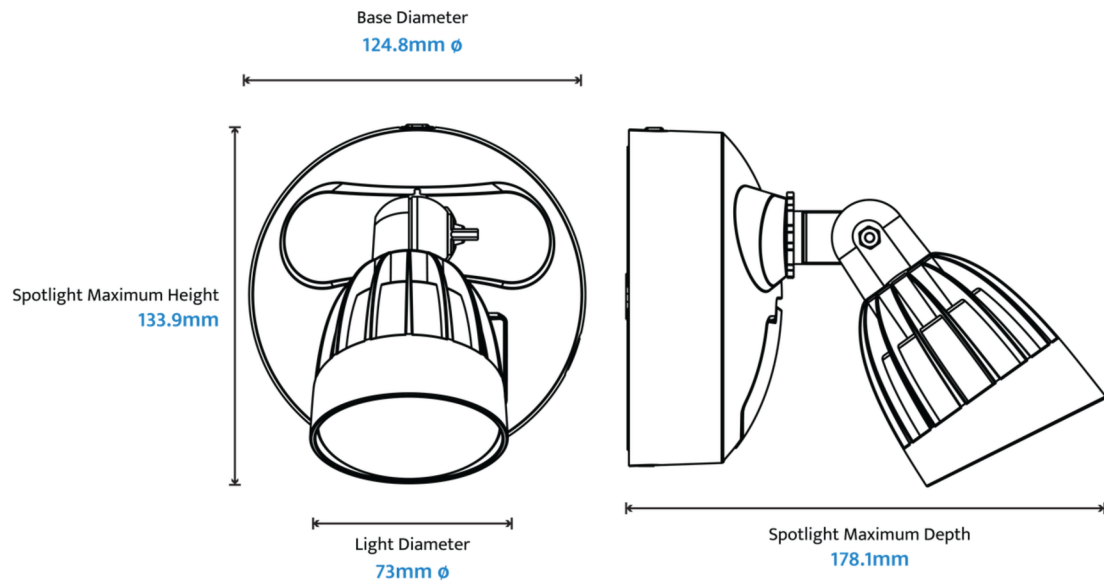
All fixtures must be installed by a licensed electrician. Please also consult a licensed electrician for any electrical and wiring enquiries. For technical support please contact: customerservice@calibo.com.au

Also available in other configurations



[VIEW RANGE PAGE](#)





Nighthawk NIG-1SL-15W-S Specifications

Light Source	LED COB	Supply (Voltage)	220-240V AC~50/60Hz
Colours	Black, White	Temperature Rating	-20°C +45°C
Wattage	15W	Construction	Polycarbonate
Dimmable	No	IP Rating	IP65
Kelvins	3000K - 4000K - 5000K	Electrical Protection	Class II
Lumens	1100lm - 1250lm - 1150lm	Compliance	AS/NZS 60598.1, AS/NZS 60598.2.1, AS/NZS 61347.1, AS/NZS 61347.2.13, AS/NZS 61347.2.11, AS/NZS CISPR 15, AS/NZS 4268
CRI	CRI≥80	Recommended Use Warranty	Domestic / Commercial 3 Year Replacement
LED Hour Rating	30000H	NZ/AU Driver Driver Type	ACD100100-223A Constant C, Non Isolated
Sensor	Microwave Detection Angle: Approx. 180° ; Detection Distance: Max. 12M	Net Weight Gross Weight	0.44KG 0.63KG

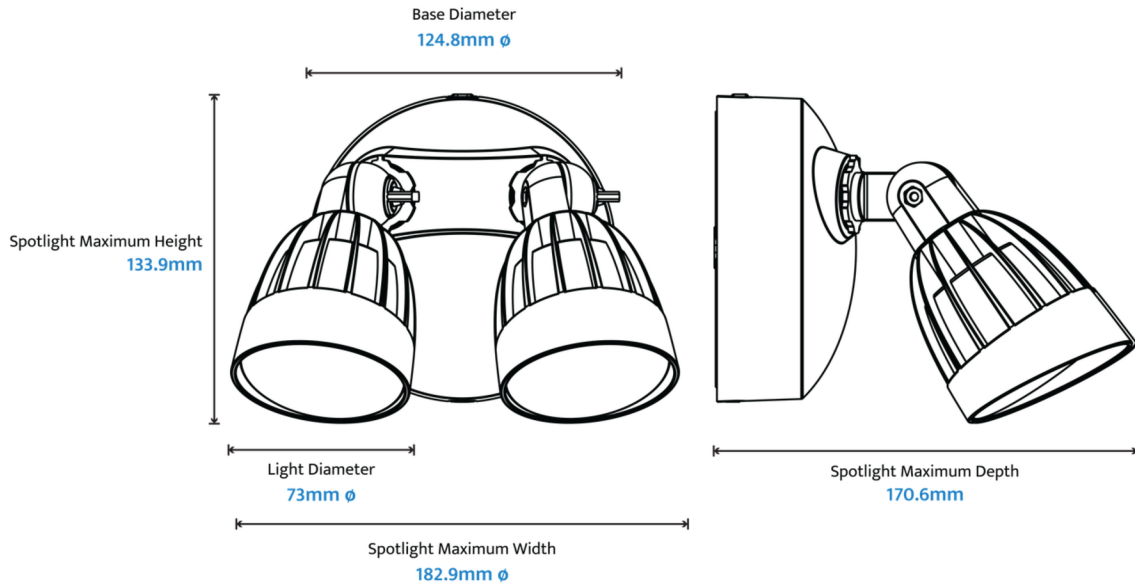
All fixtures must be installed by a licensed electrician. Please also consult a licensed electrician for any electrical and wiring enquiries. For technical support please contact: customerservice@calibo.com.au

Also available in other configurations



[VIEW RANGE PAGE](#)





Nighthawk NIG-2SL-30W Specifications

Light Source	LED COB	Supply (Voltage)	220-240V AC~50/60Hz
Colours	Black, White	Temperature Rating	-20°C +45°C
Wattage	(2x15W) 30W	Construction	Polycarbonate
Dimmable	No	IP Rating	IP65
Kelvins	3000K - 4000K - 5000K	Electrical Protection	Class II
Lumens	2000lm - 2500lm - 2400lm	Compliance	AS/NZS 60598.1, AS/NZS 60598.2.1, AS/NZS 61347.1, AS/NZS 61347.2.13, AS/NZS CISPR 15
CRI	CRI≥80	Recommended Use Warranty	Domestic / Commercial 3 Year Replacement
LED Hour Rating	30000H	NZ/AU Driver Driver Type	ACD100100-224 Constant C, Non Isolated
		Net Weight Gross Weight	0.69KG 0.88KG

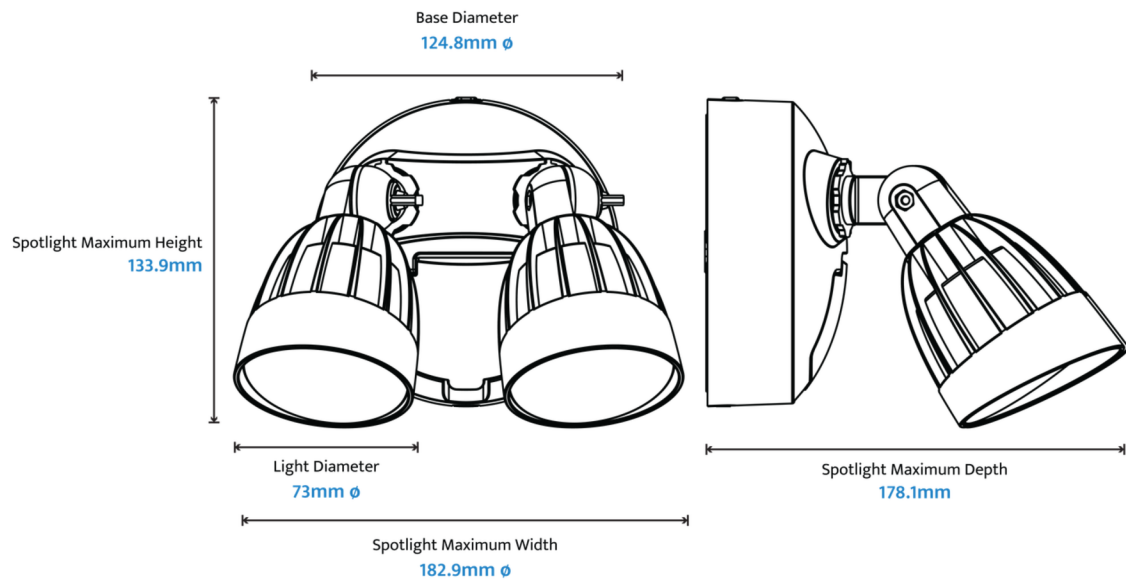
All fixtures must be installed by a licensed electrician. Please also consult a licensed electrician for any electrical and wiring enquiries. For technical support please contact: customerservice@calibo.com.au

Also available in other configurations



[VIEW RANGE PAGE](#)





Nighthawk NIG-2SL-30W-S Specifications

Light Source	LED COB	Supply (Voltage)	220-240V AC~50/60Hz
Colours	Black, White	Temperature Rating	-20°C +45°C
Wattage	(2x15W) 30W	Construction	Polycarbonate
Dimmable	No	IP Rating	IP65
Kelvins	3000K - 4000K - 5000K	Electrical Protection	Class II
Lumens	2000lm - 2500lm - 2400lm	Compliance	AS/NZS 60598.1, AS/NZS 60598.2.1, AS/NZS 61347.1, AS/NZS 61347.2.13, AS/NZS 61347.2.11, AS/NZS CISPR 15, AS/NZS 4268
CRI	CRI≥80	Recommended Use Warranty	Domestic / Commercial 3 Year Replacement
LED Hour Rating	30000H	NZ/AU Driver Driver Type	ACD100100-224A Constant C, Non Isolated
Sensor	Microwave Detection Angle: Approx. 180° ; Detection Distance: Max. 12M	Net Weight Gross Weight	0.69KG 0.88KG

All fixtures must be installed by a licensed electrician. Please also consult a licensed electrician for any electrical and wiring enquiries. For technical support please contact: customerservice@calibo.com.au

Also available in other configurations



[VIEW RANGE PAGE](#)

