

## Glider GLI-10CT-13W Specifications

<b>Light Source</b>	LED   COB & SMD2835	<b>Supply (Voltage)</b>	220-240V AC~50/60Hz
<b>Colours</b>	Black, White	<b>Temperature Rating</b>	-20°C +25°C
<b>Wattage</b>	13W	<b>Construction</b>	Aluminium & Acrylic
<b>Dimmable</b>	No	<b>IP Rating</b>	IP20
<b>Kelvins</b>	3000K - 4000K - 5000K	<b>Electrical Protection</b>	Class I
<b>Lumens</b>	885lm - 1000lm - 945lm	<b>Compliance</b>	AS/NZS 60598.1, AS/NZS 60598.2.1, AS/NZS CISPR 15
<b>CRI</b>	COB>90;SMD>80	<b>Recommended Use   Warranty</b>	Domestic / Commercial   3 Year Replacement
<b>LED Hour Rating</b>	COB 25000H/SMD 50000H   L80	<b>NZ/AU Driver   Driver Type</b>	LF-GIC013YS   Constant C, Isolated
<b>Beam Angle</b>	36°	<b>Net Weight   Gross Weight</b>	0.54KG   0.61KG

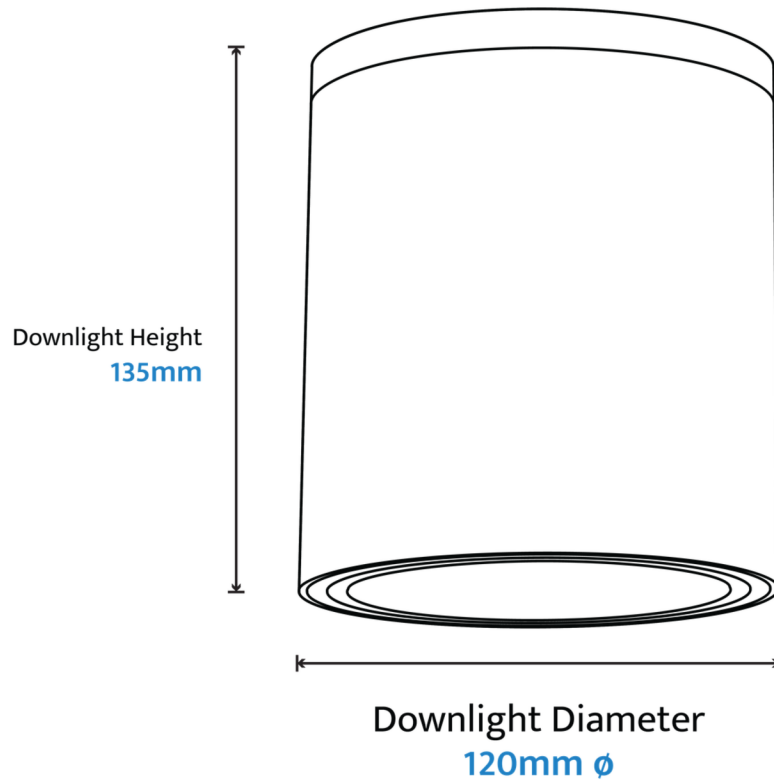
All fixtures must be installed by a licensed electrician. Please also consult a licensed electrician for any electrical and wiring enquiries. For technical support please contact: [customerservice@calibo.com.au](mailto:customerservice@calibo.com.au)

Also available in other configurations



[VIEW RANGE PAGE](#)





## Glider GLI-10CT-27W Specifications

<b>Light Source</b>	LED   COB & SMD2835	<b>Supply (Voltage)</b>	220-240V AC~50/60Hz
<b>Colours</b>	Black, White	<b>Temperature Rating</b>	-20°C +25°C
<b>Wattage</b>	27W	<b>Construction</b>	Aluminium & Acrylic
<b>Dimmable</b>	No	<b>IP Rating</b>	IP20
<b>Kelvins</b>	3000K - 4000K - 5000K	<b>Electrical Protection</b>	Class I
<b>Lumens</b>	1435lm - 1650lm - 1545lm	<b>Compliance</b>	AS/NZS 60598.1, AS/NZS 60598.2.1, AS/NZS CISPR 15
<b>CRI</b>	COB>90;SMD>80	<b>Recommended Use   Warranty</b>	Domestic / Commercial   3 Year Replacement
<b>LED Hour Rating</b>	COB 25000H/SMD 50000H   L80	<b>NZ/AU Driver   Driver Type</b>	LF-GIC030YS   Constant C, Isolated
<b>Beam Angle</b>	36°	<b>Net Weight   Gross Weight</b>	0.91KG   1.22KG

All fixtures must be installed by a licensed electrician. Please also consult a licensed electrician for any electrical and wiring enquiries. For technical support please contact: [customerservice@calibo.com.au](mailto:customerservice@calibo.com.au)

Also available in other configurations



[VIEW RANGE PAGE](#)

