

Bold BOL-4EX-4W Specifications

Light Source	LED SMD3030	Supply (Voltage)	220-240V AC~50/60Hz
Colours	Black, White	Temperature Rating	-20°C +45°C
Wattage	4x1W	Construction	Aluminium & PMMA
Dimmable	No	IP Rating	IP65
Kelvins	3000K - 4000K - 6000K	Electrical Protection	Class I
Lumens	320lm - 360lm - 340lm	Compliance	AS/NZS 60598.1, AS/NZS 60598.2.1, AS/NZS 61347.1, AS/NZS 61347.2.13, AS/NZS CISPR 15
CRI	CRI≥80	Recommended Use Warranty	Domestic / Commercial 3 Year Replacement
LED Hour Rating	50000H 6V	NZ/AU Driver Driver Type	DC30-72V Constant C, Non Isolated
Beam Angle	24°	Net Weight Gross Weight	0.32KG 0.34KG

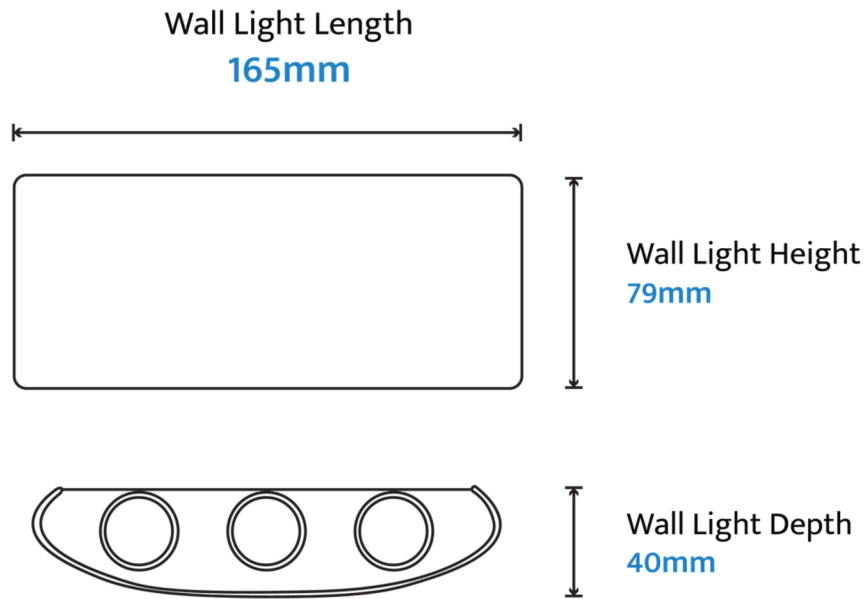
All fixtures must be installed by a licensed electrician. Please also consult a licensed electrician for any electrical and wiring enquiries. For technical support please contact: customerservice@calibo.com.au

Also available in other configurations



[VIEW RANGE PAGE](#)





Bold BOL-6EX-6W Specifications

Light Source	LED SMD3030	Supply (Voltage)	220-240V AC~50/60Hz
Colours	Black, White	Temperature Rating	-20°C +45°C
Wattage	6x1W	Construction	Aluminium & PMMA
Dimmable	No	IP Rating	IP65
Kelvins	3000K - 4000K - 6000K	Electrical Protection	Class I
Lumens	480lm - 540lm - 510lm	Compliance	AS/NZS 60598.1, AS/NZS 60598.2.1, AS/NZS 61347.1, AS/NZS 61347.2.13, AS/NZS CISPR 15
CRI	CRI≥80	Recommended Use Warranty	Domestic / Commercial 3 Year Replacement
LED Hour Rating	50000H 6V	NZ/AU Driver Driver Type	DC30-72V Constant C, Non Isolated
Beam Angle	24°	Net Weight Gross Weight	0.34KG 0.36KG

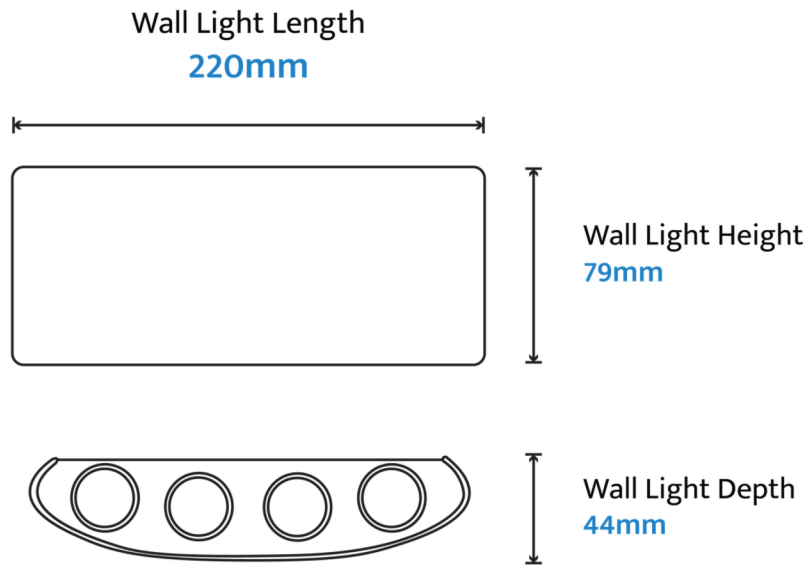
All fixtures must be installed by a licensed electrician. Please also consult a licensed electrician for any electrical and wiring enquiries. For technical support please contact: customerservice@calibo.com.au

Also available in other configurations



[VIEW RANGE PAGE](#)





Bold BOL-8EX-8W Specifications

Light Source	LED SMD3030	Supply (Voltage)	220-240V AC~50/60Hz
Colours	Black, White	Temperature Rating	-20°C +45°C
Wattage	8x1W	Construction	Aluminium & PMMA
Dimmable	No	IP Rating	IP65
Kelvins	3000K - 4000K - 6000K	Electrical Protection	Class I
Lumens	640lm - 720lm - 680lm	Compliance	AS/NZS 60598.1, AS/NZS 60598.2.1, AS/NZS 61347.1, AS/NZS 61347.2.13, AS/NZS CISPR 15
CRI	CRI≥80	Recommended Use Warranty	Domestic / Commercial 3 Year Replacement
LED Hour Rating	50000H 6V	NZ/AU Driver Driver Type	DC30-72V Constant C, Non Isolated
Beam Angle	24°	Net Weight Gross Weight	1.92KG 2.04KG

All fixtures must be installed by a licensed electrician. Please also consult a licensed electrician for any electrical and wiring enquiries. For technical support please contact: customerservice@calibo.com.au

Also available in other configurations



[VIEW RANGE PAGE](#)

