

# Enviro DC

52" 60"  
1320mm 1530mm

Enviro by name, Enviro by nature, this ceiling fan features modern DC motor technology and rust-proof design for incredible durability and maximised efficiency.

WHITE



BLACK



WHITE  
WITH BAMBOO BLADES



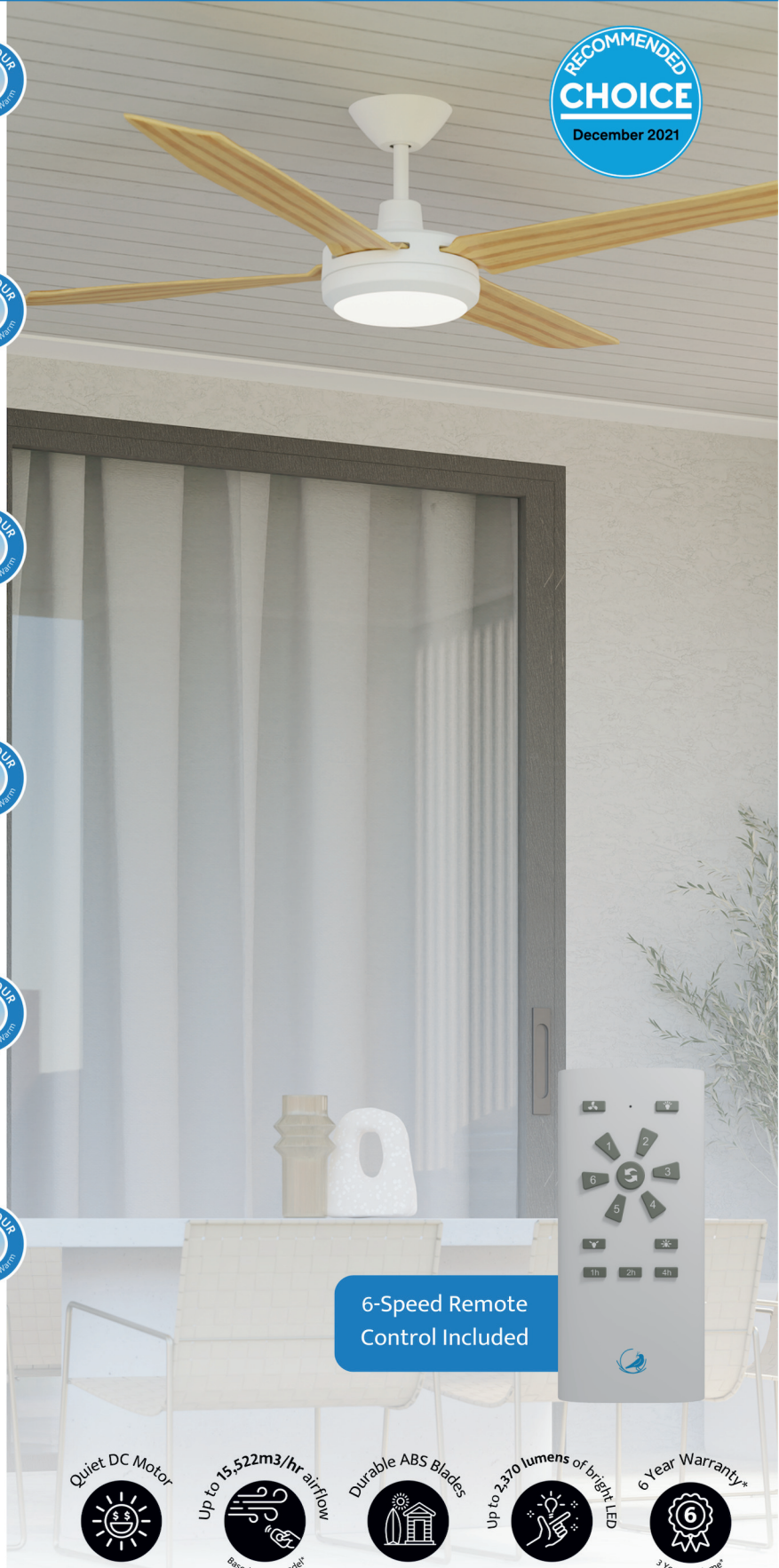
WHITE  
WITH KOA BLADES



BLACK  
WITH BAMBOO BLADES



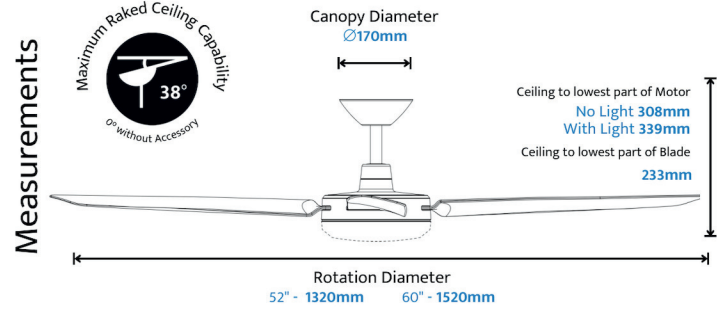
BLACK  
WITH KOA BLADES



6-Speed Remote Control Included

Technical Specifications

Installation Location	Indoor and Covered Outdoor
Warranty	6 Year Warranty *3 Year In-Home, 12 Months Remote and Receiver PLUS 3 Year Parts Upon Product Registration.
Materials	Rust-Free ABS With Light model includes a Frosted Plastic Light Diffuser.
Operation	6-Speed Remote Includes 1, 2 and 4 hour timer and reverse functions as well as light control for with light model.
Ceiling Mount Angle	Up to 38° with Raked Ceiling Kit Accessory. 0° without Raked Ceiling Kit Accessory.



Performance

	52"	60"
Speed 1	5,531 m3/hr   2.5W   68 RPM	5,682 m3/hr   2.7W   69 RPM
Speed 2	6,767 m3/hr   3.3W   89 RPM	7,208 m3/hr   4W   88 RPM
Speed 3	8,650 m3/hr   10W   152 RPM	9,313 m3/hr   9.5W   133 RPM
Speed 4	10,813 m3/hr   15.8W   182 RPM	11,641 m3/hr   15W   161 RPM
Speed 5	12,255 m3/hr   21.8W   203 RPM	13,193 m3/hr   21W   183 RPM
Speed 6	<b>14,418 m3/hr</b>   25.7W   215 RPM	<b>15,522 m3/hr</b>   25W   196 RPM

Tri-Colour Light Kit  
USER REPLACEABLE



## The calibo™ difference

- Aussie Designed
- Industry Leading Warranties & Local Support
- Highly-Durable Materials made for harsh climates

Packaging & Accessories

### Motor & Blades

### Blades Only

### Available Accessories

Size	Light Option	Dimensions (mm)	GW (KG)	NW (KG)
52"	No Light	615 x 315 x 290mm	6.5KG	5.6KG
	With Light	615 x 315 x 290mm	7.1KG	6.17KG
60"	No Light	730 x 290 x 315mm	9.1KG	7.54KG
	With Light	730 x 290 x 315mm	9.4KG	8.13KG

52" Blades | **Bamboo** EDC-B52-BA | **Koa** EDC-B52-KO  
 60" Blades | **Bamboo** EDC-B60-BA | **Koa** EDC-B60-KO  
 900mm Extension Rod | **White** STE-900-WH | **Black** STE-900-BK  
 1800mm Extension Rod | **White** STE-1800-WH | **Black** STE-1800-BK  
 38 Degree Raked Ceiling Kit | **White** DC38D-W | **Black** DC38D-B  
 Wall Control Kit | STO-WCK  
 Tuya Smart Home Module | STE-WIFI

GW = Gross Weight NW = Net Weight

Model Numbers

		White	White with Bamboo	White with Koa	Black	Black with Bamboo	Black with Koa
52"	No Light	EDC-452-WH	EDC-452W-BA	EDC-452W-KO	EDC-452-BK	EDC-452B-BA	EDC-452B-KO
	With Light	EDC-452-WH-L	EDC-452W-BA-L	EDC-452W-KO-L	EDC-452-BK-L	EDC-452B-BA-L	EDC-452B-KO-L
60"	No Light	EDC-460-WH	EDC-460W-BA	EDC-460W-KO	EDC-460-BK	EDC-460B-BA	EDC-460B-KO
	With Light	EDC-460-WH-L	EDC-460W-BA-L	EDC-460W-KO-L	EDC-460-BK-L	EDC-460B-BA-L	EDC-460B-KO-L